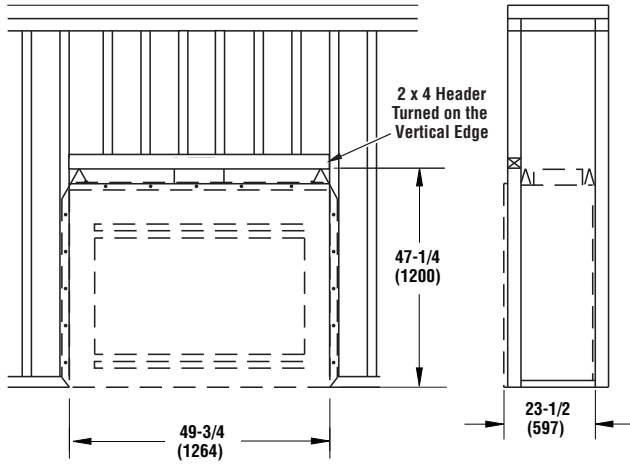


WRT3042 AND WCT3042 SERIES

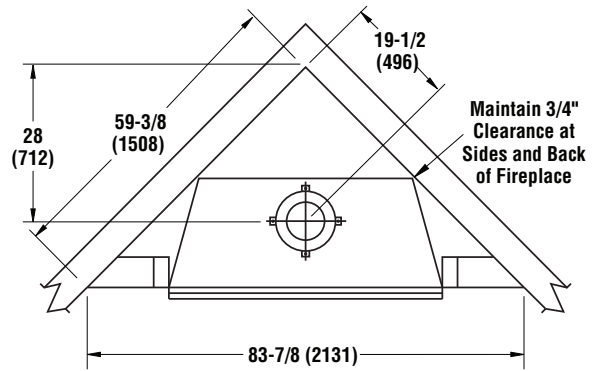
WOOD-BURNING FIREPLACES

Framing Dimensions



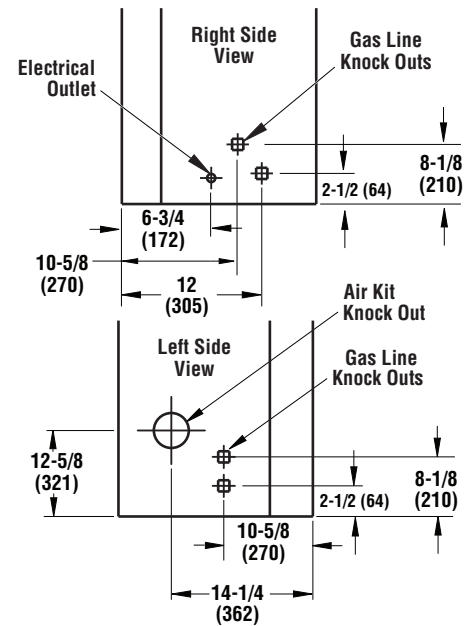
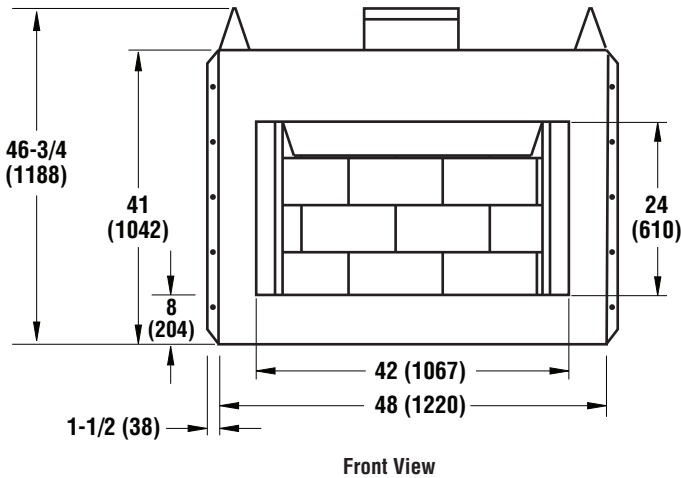
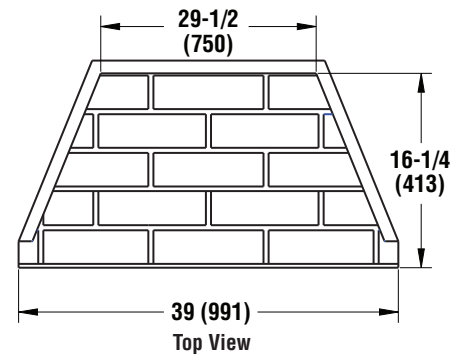
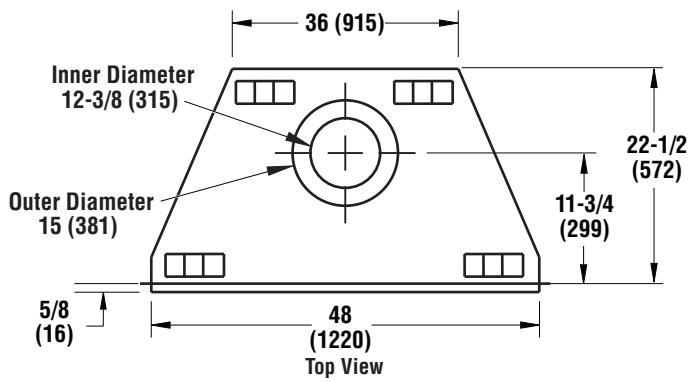
Parallel Framing Dimensions

Inches (millimeters)



Corner Framing Dimensions

Fireplace Dimensions



Inches (millimeters)

WRT3042 AND WCT3042 SERIES

Product Information

| Product Reference Information | | | | |
|-------------------------------|------------|-------------|-----------------|-----------------|
| Cat. No. | Model | Description | Shipping Weight | Shipping Volume |
| F0653 | WRT3042RS | Radiant | 224 lb. | 32.0 cu. ft. |
| F0654 | WRT3042RSI | Radiant | 224 lb. | 32.0 cu. ft. |
| F0655 | WRT3042RH | Radiant | 224 lb. | 32.0 cu. ft. |
| F0665 | WRT3042WS | Radiant | 224 lb. | 32.0 cu. ft. |
| F0666 | WRT3042WSI | Radiant | 224 lb. | 32.0 cu. ft. |
| F0667 | WRT3042WH | Radiant | 224 lb. | 32.0 cu. ft. |

| Product Reference Information | | | | |
|-------------------------------|------------|-------------|-----------------|-----------------|
| Cat. No. | Model | Description | Shipping Weight | Shipping Volume |
| F0656 | WCT3042RS | Louvered | 224 lb. | 32.0 cu. ft. |
| F0657 | WCT3042RSI | Louvered | 224 lb. | 32.0 cu. ft. |
| F0658 | WCT3042RH | Louvered | 224 lb. | 32.0 cu. ft. |
| F0668 | WCT3042WS | Louvered | 224 lb. | 32.0 cu. ft. |
| F0669 | WCT3042WSI | Louvered | 224 lb. | 32.0 cu. ft. |
| F0670 | WCT3042WH | Louvered | 224 lb. | 32.0 cu. ft. |

Listing Information



Report No. 10-078

This fireplace has been tested and approved by PFS Corporation under UL127/ULC-S610 standard as a Factory Built Appliance and may be used with gas logs approved to ANSI Z21.60, Z21.84 or Z21.11.2 standards.

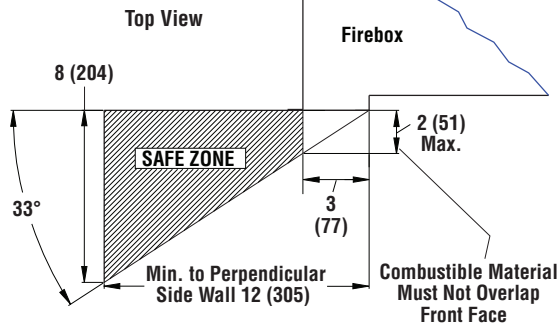
Clearances to Combustibles

| Description | Min. Clearance |
|-------------------------------|----------------|
| Back and sides of fireplace | 3/4 (19)* |
| Floor | 0 (0)** |
| Perpendicular wall to opening | 12 (305) |
| Top spacers | 0 (0) |
| Chimney outer pipe surface | 1 (26) |

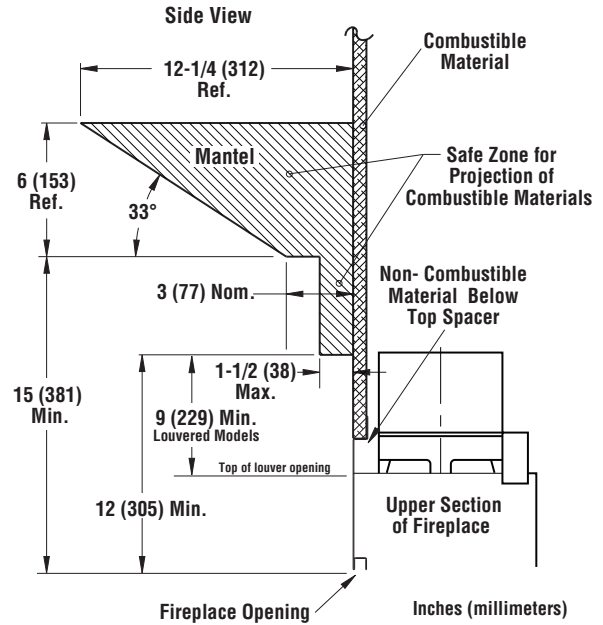
* Not required at nailing flanges

** See step 2 of Framing in the Installation and Operation Manual

Side Wall Clearances



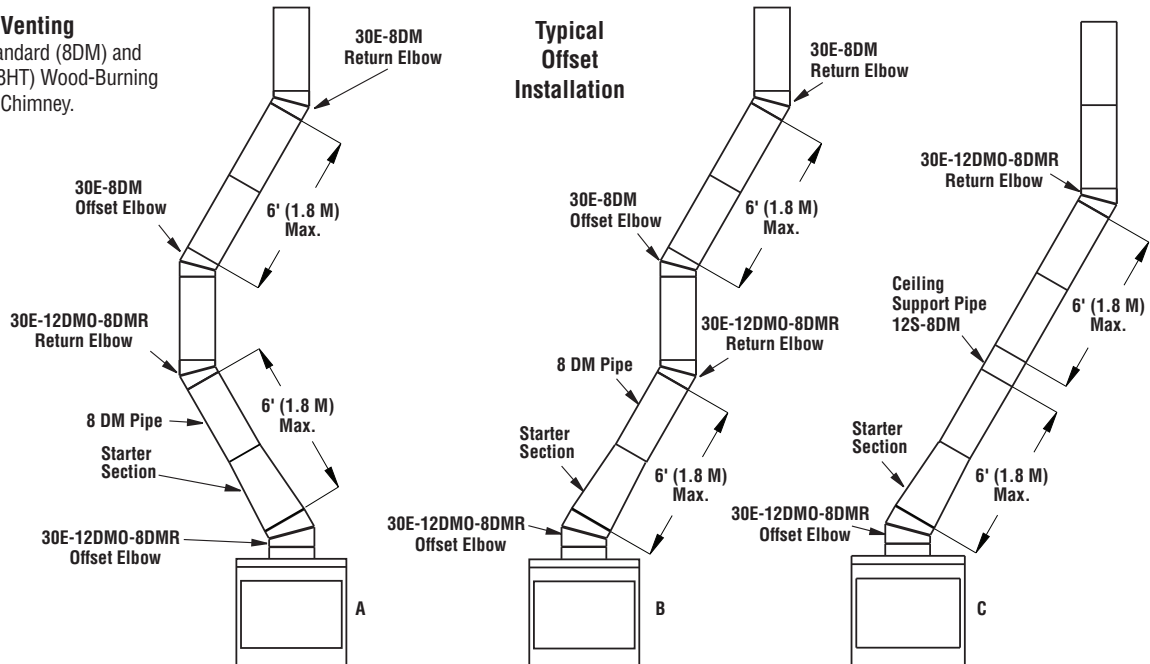
Mantel Clearances



Clearances

Venting

Uses Standard (8DM) and Hi-Temp (8HT) Wood-Burning Chimney.



Venting